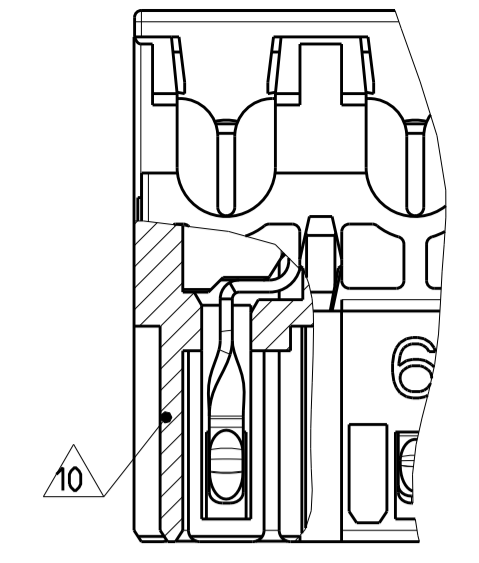
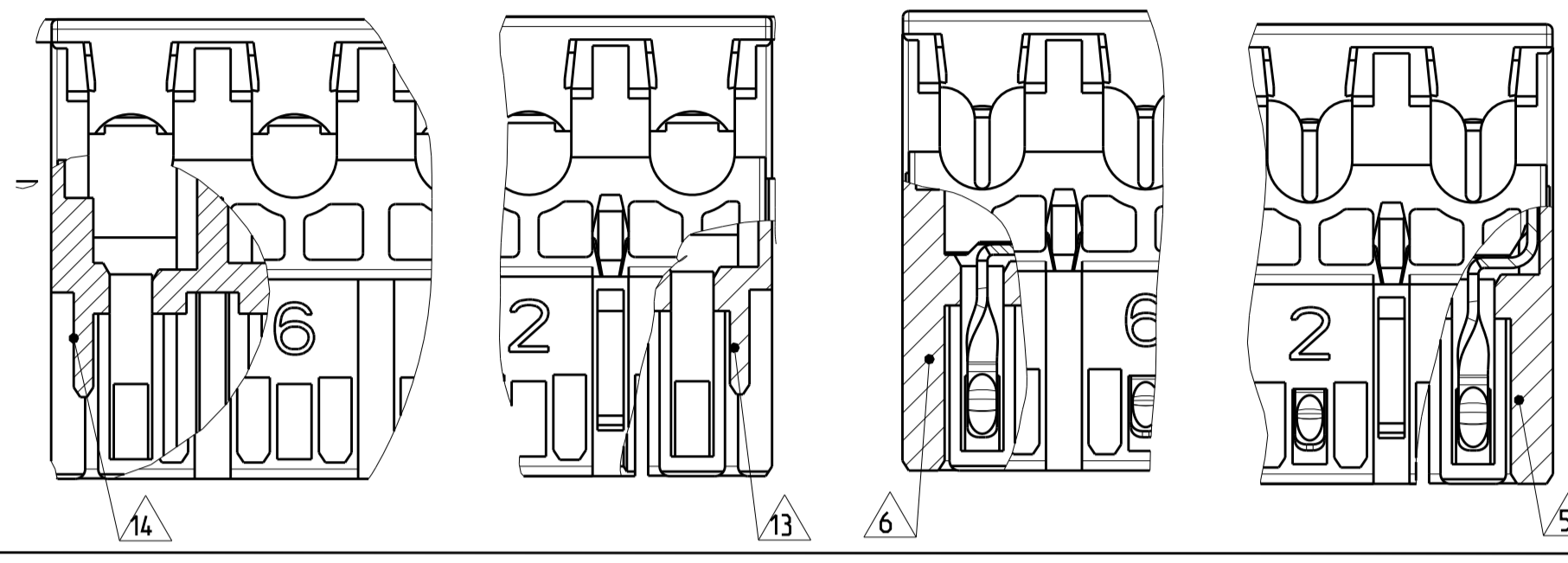
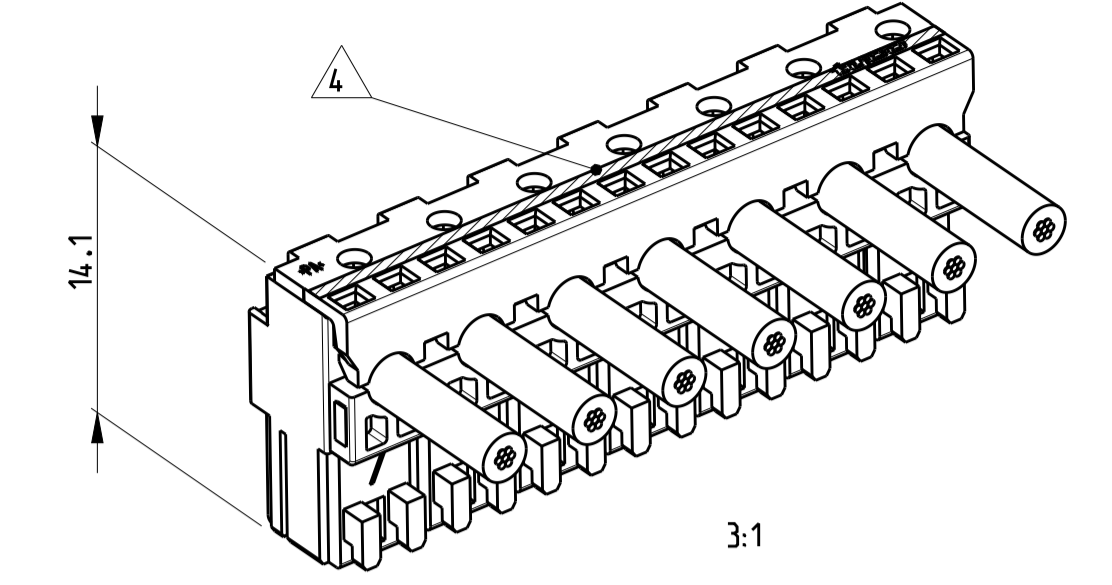


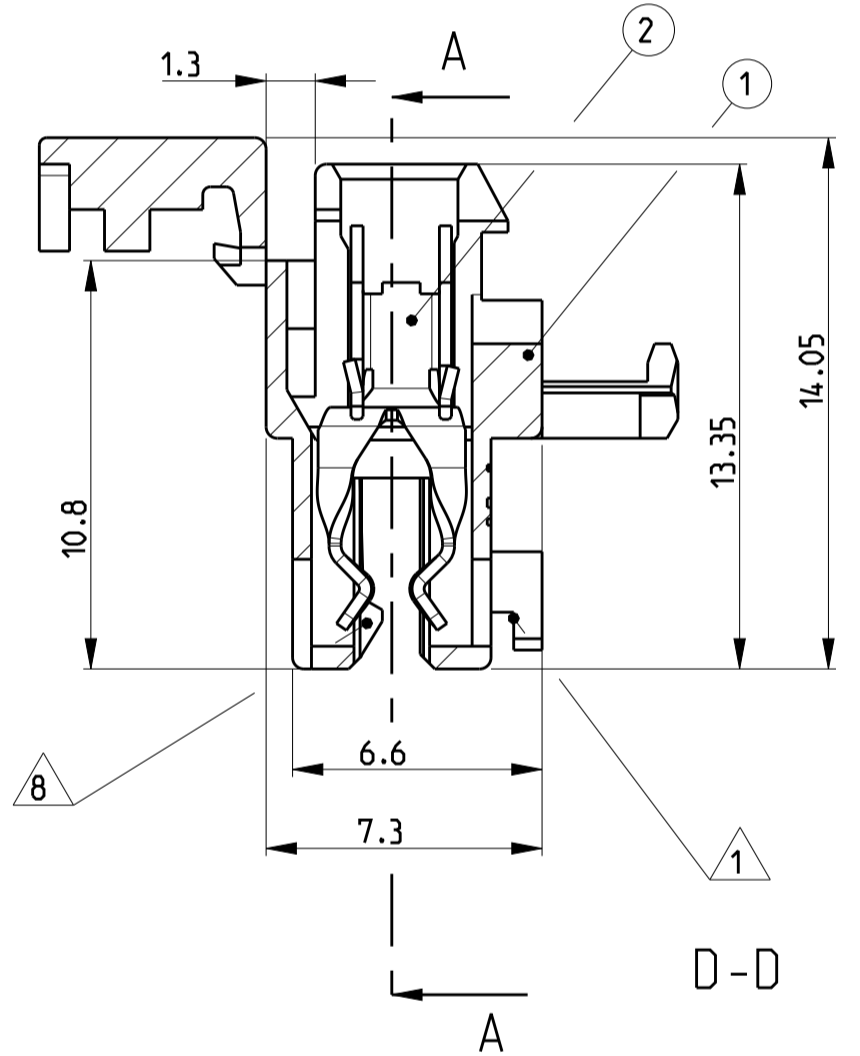
SIDE KEYING
Seitenkodierung A-A



LOC	DIST	REVISIONS					
A1	-	P	LTR	DESCRIPTION	DATE	DWN	APVD
		B19	ECR-18-018568		10DEC2018	LZ	FL
		B20	ECR-18-018738		13DEC2018	KD	FL
		B21	ECR-19-006337		16MAY2019	KD	FL
		B22	ECR-20-001326		04FEB2020	KD	FL



- 27 SLOT FOR SIDE KEYING NARROW ON LAST CAVITY
- 26 PRELIMINARY PART NOT RELEASED FOR PRODUCTION
- 25 TE LOGO
- 24 COLOUR MARKING IN THIS AREA. COLOUR SEE TABLE.
Farbmarkierung in diesem Bereich. Farbe siehe Tabelle.
- 23 X...CAVITY LOADED WITH CONTACT
O...CAVITY WITHOUT CONTACT
X...Kammer mit Kontakt bestückt
O...Kammer ohne Kontakt
- 22 INCLUSIVE COPPER CLADDING, SINGLE OR DOUBLE SIDED
Inklusive Kupferkaschierung, ein oder doppelseitig
- 21 PCB PREFERABLY CHAMFERED
Leiterplatte vorzugsweise angefast
- 20 SLOT FOR ADDITIONAL KEYING RIB BETWEEN CAVITY NO.
Schlitz fuer zusätzliche Kodierrippe zwischen Kammer Nr.
- 19 SLOT FOR SIDE KEYING NARROW AND REDUCED, ON CAVITY NO.1
Schlitz fuer Seitenkodierung, eng und reduziert, bei Kammer Nr. 1
- 18 SLOT FOR SIDE KEYING, ON LAST CAVITY
Schlitz fuer Seitenkodierung, bei letzter Kammer
- 17 SLOT FOR SIDE KEYING, ON CAVITY NO. 1
Schlitz fuer Seitenkodierung, bei Kammer Nr. 1
- 16 IEC 60695-2-11 / IEC 60335-1 GLOW WIRE TEST 750 °C WITHOUT FLAME
IEC 60695-2-11 / IEC 60335-1 Gluehdrahttest 750 °C ohne Flamme
- 15 -
- 14 SIDE KEYING, SMALL AND HALF, ON LAST CAVITY
Seitenkodierung, schmal und halb, bei letzter Kammer
- 13 SIDE KEYING, SMALL AND HALF, ON CAVITY NO. 1
Seitenkodierung, schmal und halb, bei Kammer Nr. 1
- 11 - 12 -
- 10 SIDE KEYING, SMALL, ON LAST CAVITY
- 9 -
- 8 LOCKING HOOK BETWEEN CAVITY NO. ...
Rasthaken zwischen Kammernummer ...
- 7 ADDITIONAL KEYING RIB BETWEEN CAVITY NO.
Zusätzliche Kodierrippe zwischen Kammer Nr.
- 6 SIDE KEYING, ON LAST CAVITY
Seitenkodierung, bei letzter Kammer
- 5 SIDE KEYING, ON CAVITY NO. 1
Seitenkodierung, bei Kammer Nr. 1
- 4 COLOUR MARKING ON TOP OF HOUSING OPTIONAL ON TERMINATION MACHINE
Farbmarkierung auf Gehäuseoberseite optional an Verarbeitungsmaschine
- 3 MATING PART: PCB ACCORDING SHEET 2 OF 2
Passender Gegenstecker: Leiterplatten siehe Blatt 2 von 2
- 2 WIRE RANGE: 0.35-0.75 mm² ACCORDING TO APPLICATION SPEC 114-18996
Drahtgroessenbereich: 0.35 - 0.75 mm²; siehe Verarbeitungsspezifikation Nr.114-18996.
- 1 KEYING RIBS: CUTTING WITH TERMINATION MACHINE POSSIBLE
Kodierrippe: Schneiden auf der Verarbeitungsmaschine moeglich



POS.	PN Betell-Nr.	DESCRIPTION Beschreibung	MATERIAL	COLOUR/FINISH Farbe/Oberflaeche
2	SEE TABLE	CONTACT	CuNiSi	TINNED/verzinkt
1	siehe Tabelle	HOUSING	PA6 GF ¹⁶	NATURE/natur

THIS DRAWING IS A CONTROLLED DOCUMENT.

DIMENSIONS: mm	TOLERANCES UNLESS OTHERWISE SPECIFIED:	DWN H. Alzmann CHK B. Schnaubel APVD T. Klenner	01NOV2005 01NOV2005 01NOV2005
MATERIAL SEE TABLE	FINISH SEE TABLE	NAME TE Connectivity	RESTRICTED TO
CUSTOMER DRAWING		SCALE 5:1	SHEET 1 OF 4

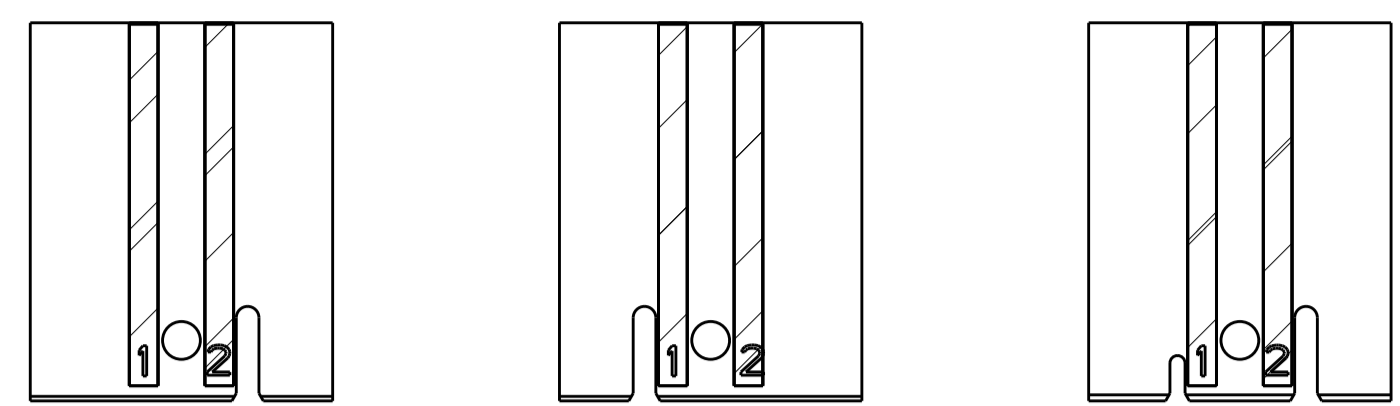
AMP DUOPLUG POWER FEMALE CONNECTOR 2-9 POSITION (WITH PCB LOCKING)

00779 C=1740533

PCB LAYOUT
 Leiterplattenanschluss

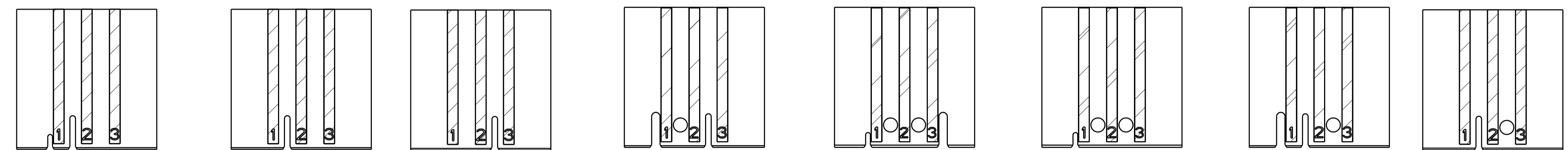
REVISONS		DATE	DWN	APVD
P	LTR	DESCRIPTION		
-		SEE SHEET 1	-	-

2 POSITION
 2 polig



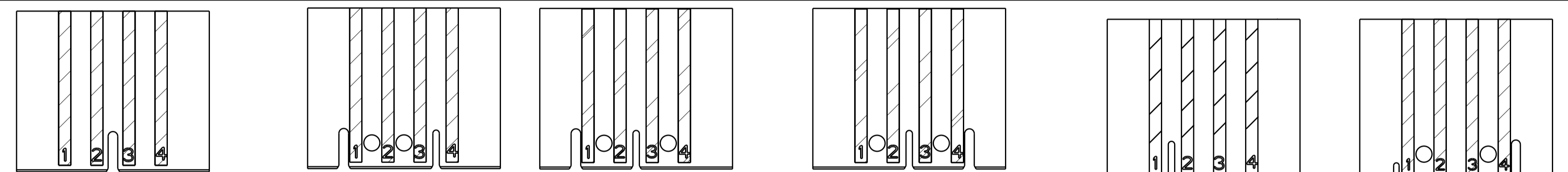
LAYOUT FOR CONNECTOR NO. 0-1740533-2 LAYOUT FOR CONNECTOR NO. 1-1740533-2 LAYOUT FOR CONNECTOR NO. 2-1740533-2

3 POSITION
 3 polig



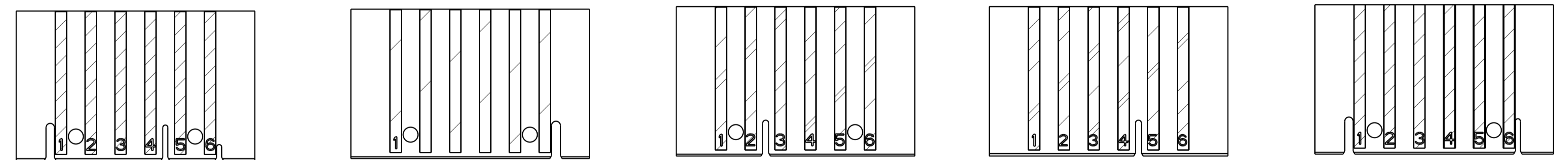
LAYOUT FOR CONNECTOR NO. 9-1740533-3 LAYOUT FOR CONNECTOR NO. 7-1740533-3 LAYOUT FOR CONNECTOR NO. 6-1740533-3 LAYOUT FOR CONNECTOR NO. 0-1740533-3 LAYOUT FOR CONNECTOR NO. 1-1740533-3 LAYOUT FOR CONNECTOR NO. 2-1740533-3 LAYOUT FOR CONNECTOR NO. 3-1740533-3 (WITHOUT PAD 3) LAYOUT FOR CONNECTOR NO. 4-1740533-3 (WITHOUT PAD 1) LAYOUT FOR CONNECTOR NO. 5-1740533-3

4 POSITION
 4 polig



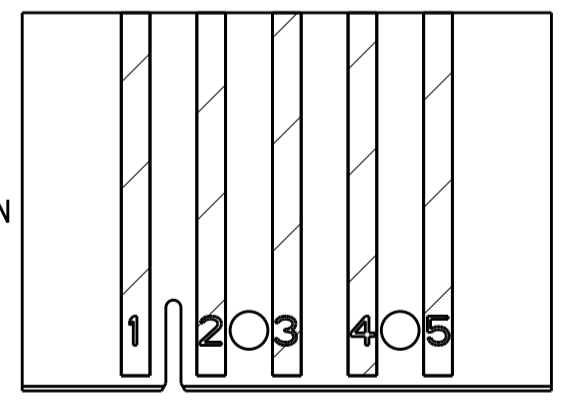
LAYOUT FOR CONNECTOR NO. 5-1740533-4 ²⁶ LAYOUT FOR CONNECTOR NO. 3-1740533-4 LAYOUT FOR CONNECTOR NO. 0-1740533-4 (WITHOUT PAD 2) LAYOUT FOR CONNECTOR NO. 1-1740533-4 LAYOUT FOR CONNECTOR NO. 2-1740533-4 LAYOUT FOR CONNECTOR NO. 4-1740533-4 LAYOUT FOR CONNECTOR NO. 6-1740533-4

6 POSITION
 6 polig



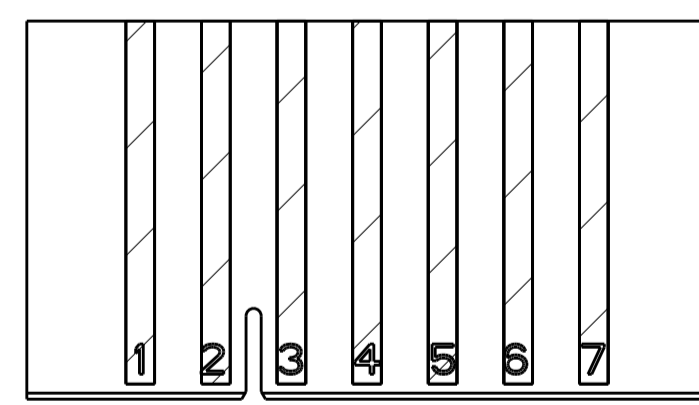
LAYOUT FOR CONNECTOR NO. 7-1740533-6 LAYOUT FOR CONNECTOR NO. ²⁶ 5-1740533-6 LAYOUT FOR CONNECTOR NO. 0-1740533-6 (WITHOUT PAD 2/5/6) LAYOUT FOR CONNECTOR NO. 1-1740533-6 LAYOUT FOR CONNECTOR NO. 2-1740533-6 LAYOUT FOR CONNECTOR NO. ²⁶ 4-1740533-6

5 POSITION
 5 polig

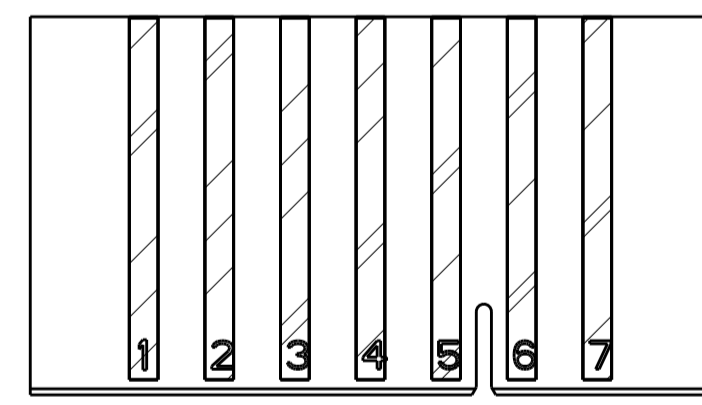


LAYOUT FOR CONNECTOR NO. 0-1740533-5

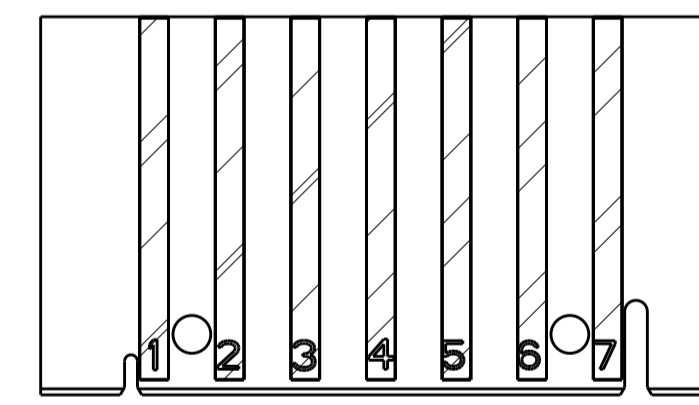
7 POSITION
 7 polig



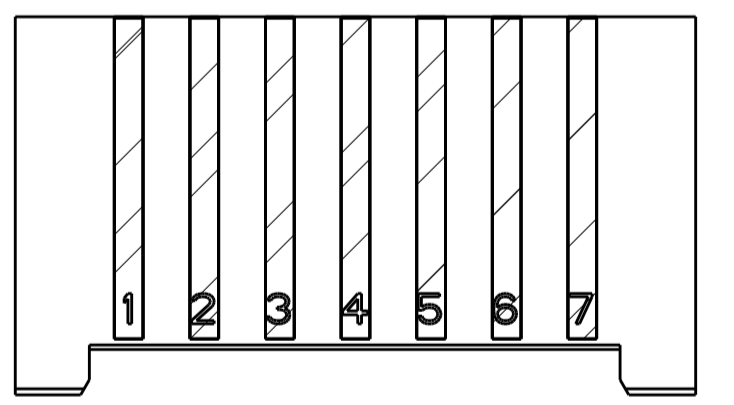
LAYOUT FOR CONNECTOR NO. 4-1740533-7 ²⁶



LAYOUT FOR CONNECTOR NO. 0-1740533-7

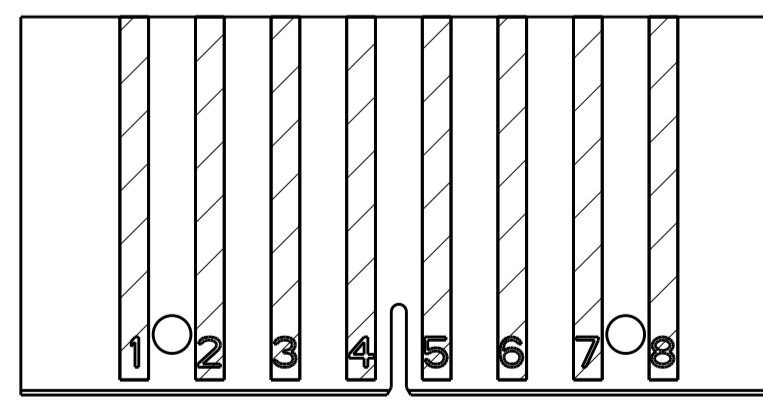


LAYOUT FOR CONNECTOR NO. 1-1740533-7

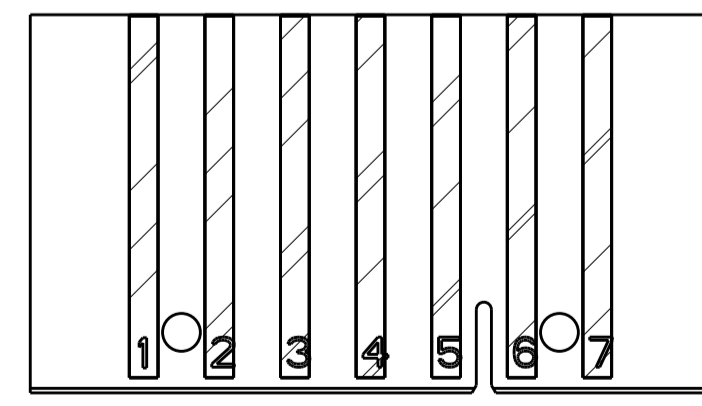


LAYOUT FOR CONNECTOR NO. 2-1740533-7

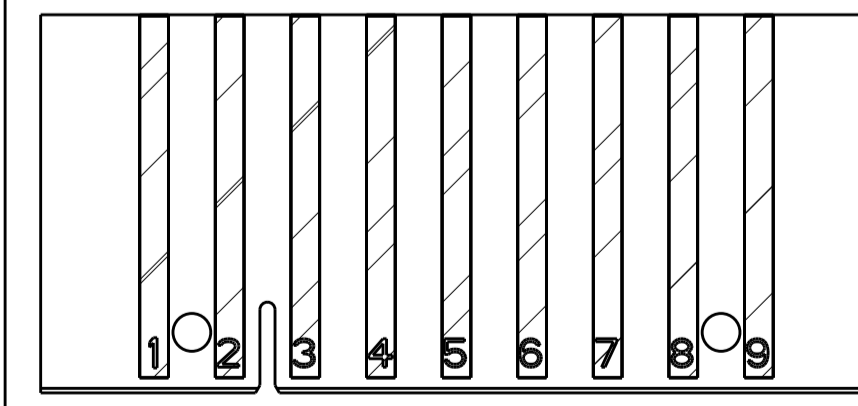
8 POSITION



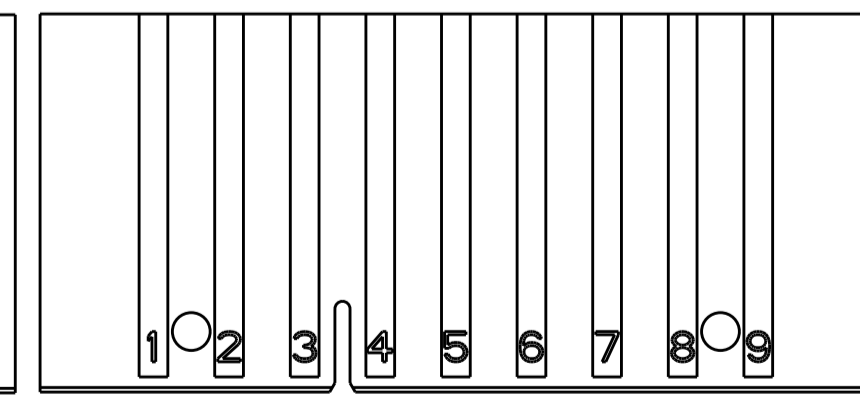
LAYOUT FOR CONNECTOR NO. 0-1740533-8



LAYOUT FOR CONNECTOR NO. 3-1740533-7



LAYOUT FOR CONNECTOR NO. 0-1740533-9



LAYOUT FOR CONNECTOR NO. 2-1740533-9

9 POSITION
 9 polig

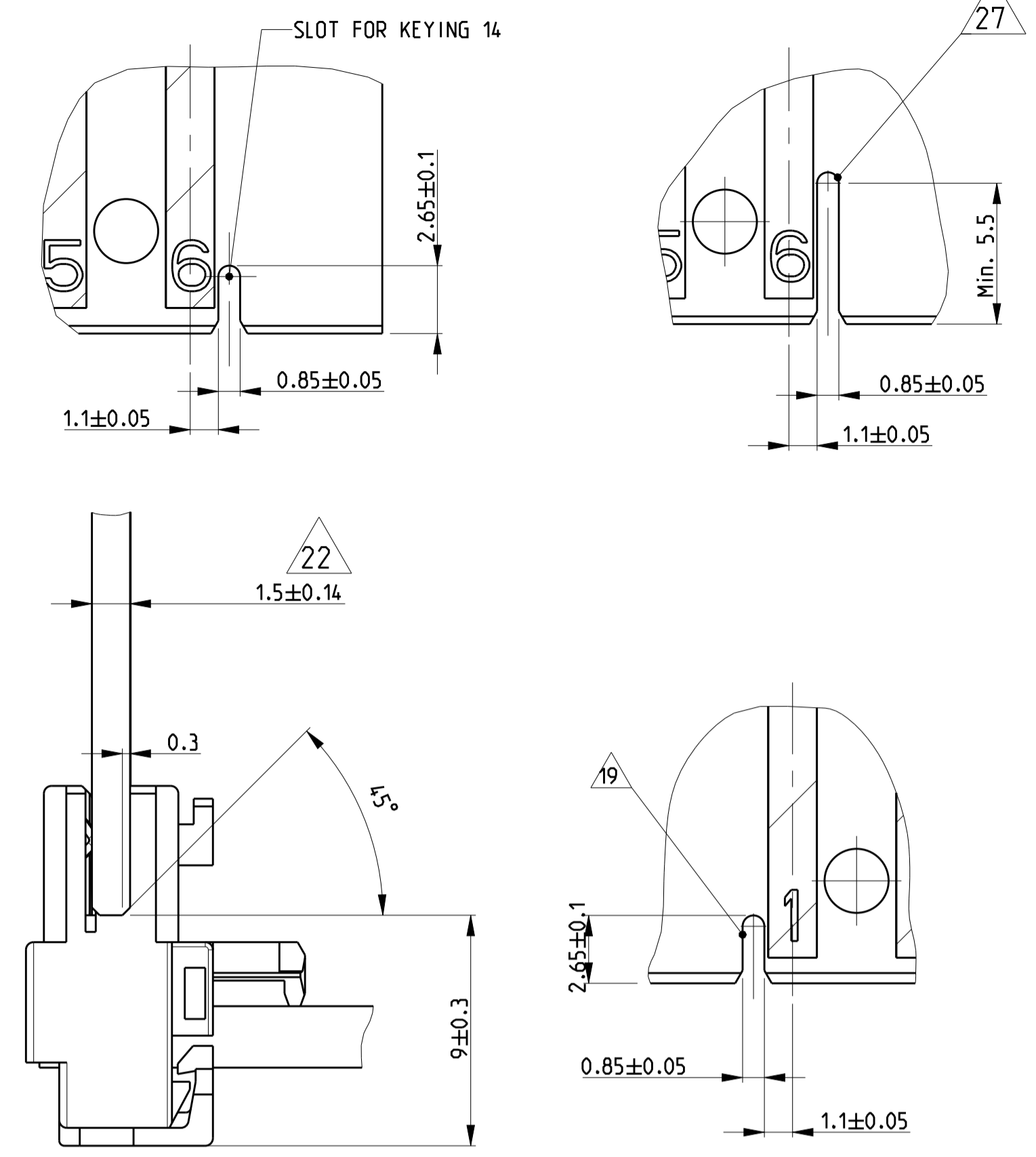
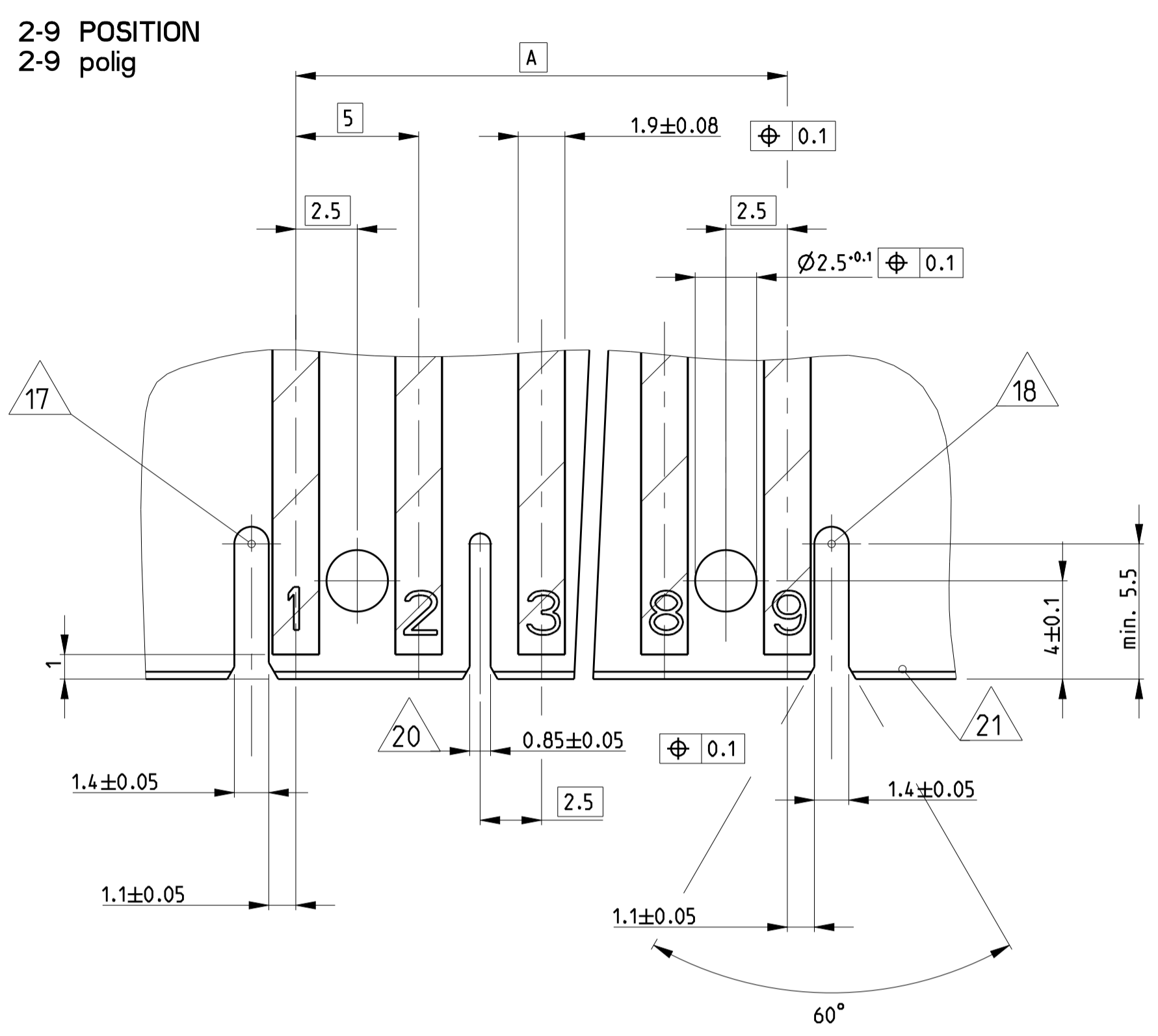
THIS DRAWING IS A CONTROLLED DOCUMENT. DIMENSIONS: mm. TOLERANCES UNLESS OTHERWISE SPECIFIED: 0 PLC ±0.2, 1 PLC ±0.2, 2 PLC ±0.2, 3 PLC ±0.2, 4 PLC ±, ANGLES ±°. MATERIAL: SEE TABLE. FINISH: SEE TABLE.

DWN: H. Alzmann, CHK: B. Schnaubel, APVD: T. Klenner. PRODUCT SPEC: 108-18780. APPLICATION SPEC: 116-18996. WEIGHT: -. CUSTOMER DRAWING.

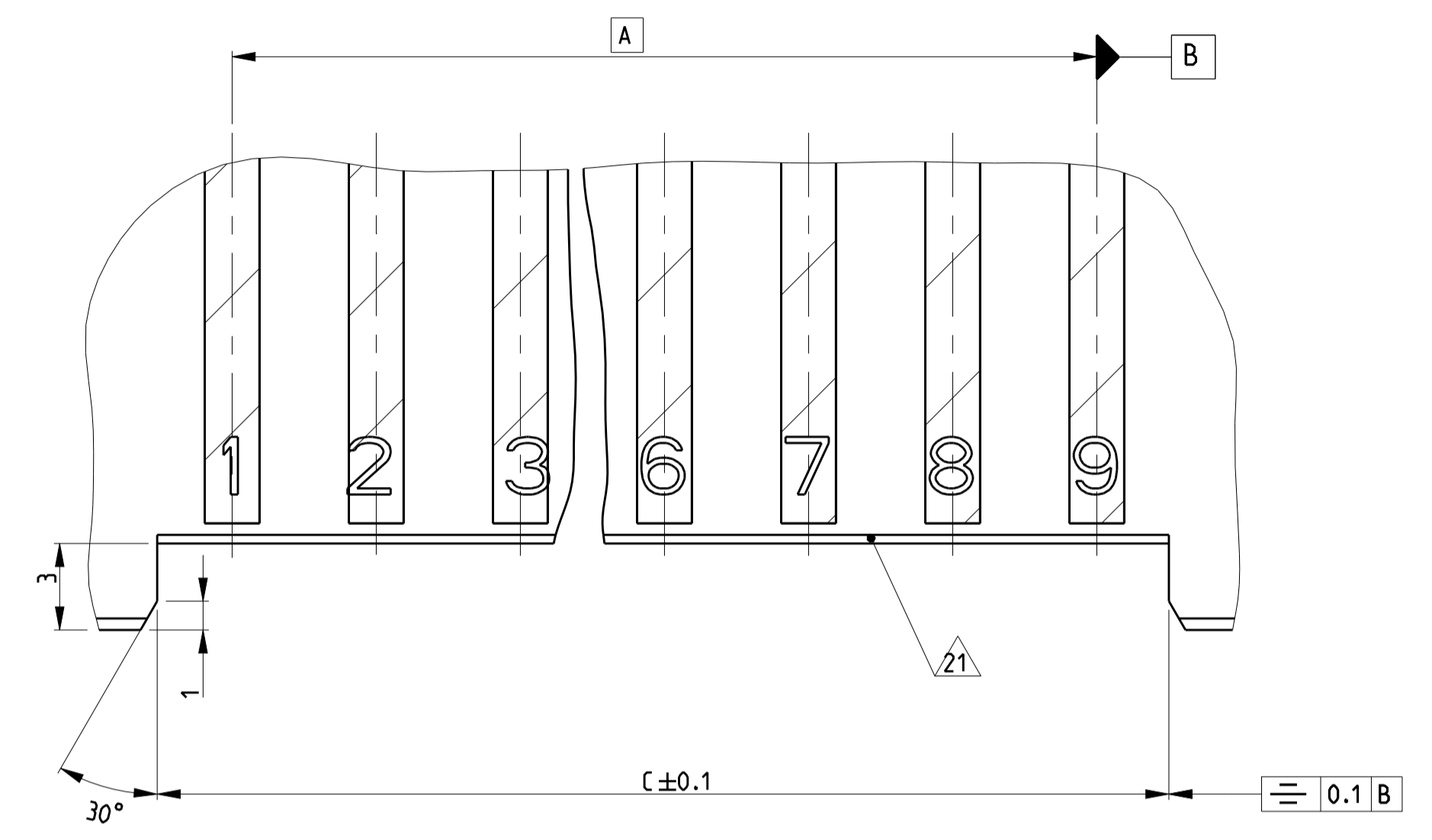
DATE: 01NOV2005. NAME: AMP DUOPLUG POWER FEMALE CONNECTOR 2-9 POSITION (WITH PCB LOCKING). SIZE: A1. CAGE CODE: 00779. DRAWING NO: 1740533. SHEET 2 OF 4. SCALE: 5:1. REV: B22.

STE TE Connectivity

PCB LAYOUT IN GENERAL
 Leiterplattenanschluss allgemein



PCB LAYOUT FOR VERSIONS WITHOUT KEYING RIBS/
 LOCKING HOOKS (E. G. PN 2-1740533-7)
 Leiterplattenanschluss fuer Version ohne Kodierrippen/
 Rasthaken (z. B. Nr. 2-1740533-7)



LOC	DIST	REVISIONS					
A1	-	P	LTR	DESCRIPTION	DATE	DWN	APVD
		-		SEE SHEET 1	-	-	-

THIS DRAWING IS A CONTROLLED DOCUMENT.

DIMENSIONS: mm	TOLERANCES UNLESS OTHERWISE SPECIFIED: 0 PLC ±0.2 1 PLC ±0.2 2 PLC ±0.2 3 PLC ±0.2 4 PLC ±0.2 ANGLES ±°	DWN SUDHAKAR 28OCT2013 CHK SUDHAKAR 28OCT2013 APVD RAJENDRA 28OCT2013	NAME AMP DUOPLUG POWER FEMALE CONNECTOR 2-9 POSITION (WITH PCB LOCKING)
MATERIAL SEE TABLE	FINISH SEE TABLE	PRODUCT SPEC 108-18750 APPLICATION SPEC 116-18996	RESTRICTED TO A1 00779 C=1740533
CUSTOMER DRAWING		SCALE 5:1	SHEET 3 OF 4

4805 (3/11)

LOC	DIST	REVISIONS					
		P	LYR	DESCRIPTION	DATE	DWN	APVD
A1	-	-	-	SEE SHEET 1	-	-	-

COLOUR/Farbe	8	7	6	5	4	3	2	1	POS. Polzahl	DIM A	DIM B	DIM C	14	13	10	7	6	5	8	PN Bestell-Nr.
	CAVITY NO. LOADED /Kammer Nr. bestueckt												KEYING	KEYING	KEYING	KEYING	KEYING	KEYING	LOCKING HOOK	
-	X	X	X	X	X	X	X	X	7	30	34.9	-	-	-	-	-	-	-	-	4-1740533-7
-	X	X	X	X	X	X	X	X	7	30	34.9	-	-	-	-	-	-	-	1/2 + 6/7	3-1740533-7
-	X	X	X	X	X	X	X	X	7	30	34.9	35.1	-	-	-	-	-	-	-	2-1740533-7
-	X	X	X	X	X	X	X	X	7	30	34.9	-	X	-	-	-	X	-	1/2 + 6/7	1-1740533-7
-	X	X	X	X	X	X	X	X	7	30	34.9	-	-	-	-	-	-	-	5/6	0-1740533-7
	X	X	X	X	X	X	X	X	6	25	29.9	-	X	-	-	-	-	X	1/2 + 5/6	7-1740533-6
	X	X	X	X	X	X	X	X	6	25	29.9	-	-	X	-	-	-	X	1/2 + 5/6	6-1740533-6
	X	X	X	X	X	X	X	X	6	25	29.9	-	-	-	-	X	-	-	1/2 + 5/6	5-1740533-6
	X	X	X	X	X	X	X	X	6	25	29.9	-	-	-	X	-	-	-	1/2 + 5/6	4-1740533-6
BLACK/schwarz	X	X	X	X	0	X	X	X	6	25	29.9	-	-	-	-	-	-	-	2/3	3-1740533-6
-	X	X	X	X	X	X	X	X	6	25	29.9	-	-	-	-	-	-	-	4/5	2-1740533-6
BLACK/schwarz	X	X	X	X	X	X	X	X	6	25	29.9	-	-	-	-	-	-	-	1/2 + 5/6	1-1740533-6
BLACK/schwarz	0	0	X	X	0	X	X	X	6	25	29.9	-	-	-	-	-	-	-	1/2 + 5/6	0-1740533-6
	X	X	X	X	X	X	X	X	5	20	24.95	-	X	-	-	-	-	-	4/5	3-1740533-5
	X	X	X	X	X	X	X	X	5	20	24.95	-	-	-	-	-	-	-	1/2 + 4/5	1-1740533-5
	X	X	X	X	X	X	X	X	5	20	24.95	-	-	-	-	-	-	-	2/3 + 4/5	0-1740533-5
	X	X	X	X	X	X	X	X	4	15	19.9	-	X	-	-	-	-	-	1/2	8-1740533-4
	X	X	X	X	X	X	X	X	4	15	19.9	-	-	-	-	-	-	-	3/4	7-1740533-4
	X	X	X	X	X	X	X	X	4	15	19.9	-	X	-	-	-	-	-	1/2 + 3/4	6-1740533-4
	X	X	X	X	X	X	X	X	4	15	19.9	-	-	-	-	-	-	-	2/3	5-1740533-4
	X	X	X	X	X	X	X	X	4	15	19.9	-	-	-	-	-	-	-	1/2	4-1740533-4
BROWN/braun	X	X	X	X	X	X	X	X	4	15	19.9	-	-	-	-	-	-	-	3/4	3-1740533-4
BROWN/Braun	X	X	X	X	X	X	X	X	4	15	19.9	-	-	-	-	-	-	-	2/3	2-1740533-4
BLUE/blau	X	X	X	X	X	X	X	X	4	15	19.9	-	-	-	-	-	-	-	2/3	1-1740533-4
BROWN/braun	X	X	0	X	X	X	X	X	4	15	19.9	-	-	-	-	-	-	-	2/3	0-1740533-4
	X	X	X	X	X	X	X	X	3	10	14.9	-	X	-	-	-	-	-	1/2	9-1740533-3
BLUE/blau	X	X	X	X	X	X	X	X	3	10	14.9	-	X	-	-	-	-	-	1/2 + 2/3	8-1740533-3
	X	X	X	X	X	X	X	X	3	10	14.9	-	-	-	-	-	-	-	1/2	7-1740533-3
	X	X	X	X	X	X	X	X	3	10	14.9	-	-	-	-	-	-	-	2/3	6-1740533-3
	X	X	X	X	X	X	X	X	3	10	14.9	-	-	-	-	-	-	-	1/2	5-1740533-3
BLACK/Schwarz	X	X	X	X	X	X	X	X	3	10	14.9	-	-	-	-	-	-	-	2/3	4-1740533-3
BLACK/schwarz	0	X	X	X	X	X	X	X	3	10	14.9	-	-	-	-	-	-	-	1/2	3-1740533-3
-	X	X	X	X	X	X	X	X	3	10	14.9	-	X	-	-	-	-	-	1/2 + 2/3	2-1740533-3
-	X	X	X	X	X	X	X	X	3	10	14.9	-	X	-	-	-	-	-	1/2 + 2/3	1-1740533-3
BLACK/schwarz	X	X	X	X	X	X	X	X	3	10	14.9	-	-	-	-	-	-	-	2/3	0-1740533-3
-	X	X	X	X	X	X	X	X	2	5	9.9	-	X	-	-	-	-	-	1/2	2-1740533-2
RED/rot	X	X	X	X	X	X	X	X	2	5	9.9	-	-	-	-	-	-	-	1/2	1-1740533-2
GREEN/gruen	X	X	X	X	X	X	X	X	2	5	9.9	-	-	-	-	-	-	-	1/2	0-1740533-2

COLOUR	9	8	7	6	5	4	3	2	1	POS	DIM A	DIM B	DIM C	14	13	10	7	6	5	8	PART NO	
	CAVITY NO. LOADED													KEYING	KEYING	KEYING	KEYING	KEYING	KEYING	LOCKING HOOK		
	X	X	X	X	X	X	X	X	X	9	40	44.9	-	-	-	-	-	-	-	-	1/2 + 8/9	2-1740533-9
GREEN	0	X	X	X	X	X	X	X	X	9	40	44.9	-	-	-	-	-	-	-	-	1/2 + 8/9	1-1740533-9
GREEN	X	X	X	X	X	X	X	X	X	9	40	44.9	-	-	-	-	-	-	-	-	1/2 + 8/9	0-1740533-9
	X	X	X	X	X	X	X	X	X	8	35	39.9	-	X	-	-	-	-	-	-	1/2 + 7/8	1-1740533-8
	X	X	X	X	X	X	X	X	X	8	35	39.9	-	-	-	-	-	-	-	-	1/2 + 7/8	0-1740533-8

THIS DRAWING IS A CONTROLLED DOCUMENT. DWN H. Alzmann 01NOV2005
 CHK B. Schnaubel 01NOV2005
 APVD T. Klenner 01NOV2005

STE TE Connectivity

NAME: AMP DUOPLUG POWER FEMALE CONNECTOR 2-9 POSITION (WITH PCB LOCKING)

PRODUCT SPEC: 108-18780
 APPLICATION SPEC: 116-18996

SIZE: A1 CAGE CODE: 00779 DRAWING NO: 1740533

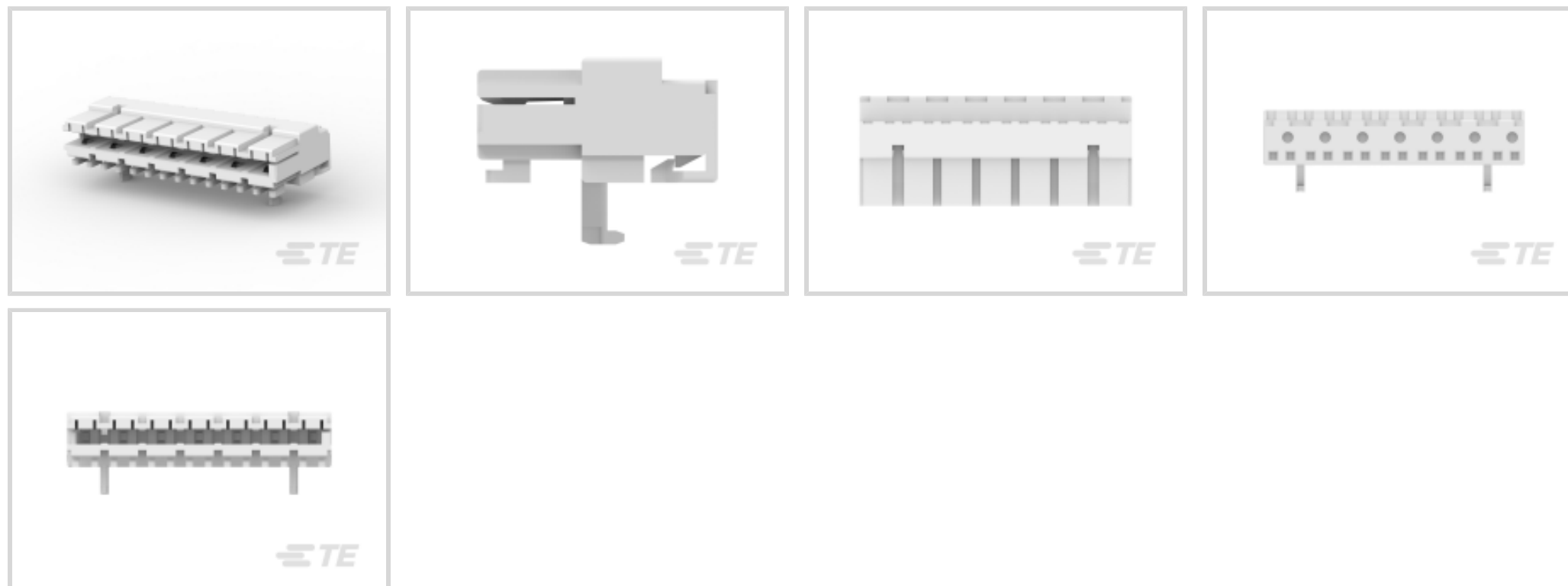
RESTRICTED TO: SHEET 4 OF 4

MATERIAL: SEE TABLE DIMENSIONS: mm TOLERANCES UNLESS OTHERWISE SPECIFIED: 0 PLC ±0.2 1 PLC ±0.2 2 PLC ±0.2 3 PLC ±0.2 4 PLC ±0.2 ANGLES FINISH: SEE TABLE WEIGHT: -

CUSTOMER DRAWING SCALE: 5:1 SHEET 4 OF 4 REV: B22



连接器 > PCB 连接器 > 卡边缘连接器 > 标准边缘连接器



连接器系统: 线到板

Number of Positions: 7

中心线 (间距) : 5 mm [.197 in]

线缆端接方法: 刺破式压接 (IDC)

行数: 1

产品特性

产品类型特性

连接器系统	线到板
连接器和壳体类型	母端
连接器和端子端接到	印刷电路板

结构特性

卡进入方式	侧
与线缆类型兼容	分离式导线
Number of Positions	7
行数	1
连接器端子负载状态	满载
PCB 安装方向	直角

电气特征

工作电压	250 V
------	-------

接触件特性

壳体内部的端子定位力	带有
端子类型	插座

端子接合区域电镀材料厚度	3 – 6 μm
端子接触部电镀材料	锡
PCB 端子端接区域电镀材料	锡
端子基材	CuNiSi
端子额定电流 (最大值)	6 A

端接特性

线缆端接方法	刺破式压接 (IDC)
--------	-------------

机械附件

壳体内部的端子定位器类型	锁定枪
接合对准类型	键控
接合固定	不带
接合对准	带有
PCB 安装对准	带有
面板安装特性	不带
PCB 安装固定	不带
连接器安装类型	电缆安装 (自由悬挂)

壳体特性

壳体入口配置	一端开口
中心线 (间距)	5 mm [.197 in]
壳体颜色	土黄色
外壳材料	PA 6 GF

尺寸

连接器高度	7.3 mm [.287 in]
PCB 厚度 (建议)	1.5 mm [.059 in]
Accepts Wire Insulation Diameter Range	2.2 mm [.087 in]
Wire Size	.35 – .75 mm ²

使用环境

工组温度范围	-40 – 110 °C [-40 – 230 °F]
--------	-----------------------------

操作/应用

电路应用	Power
------	-------

行业标准

UL 阻燃性等级	UL 94V-2
----------	----------

包装特性

封装方法	托盘
封装数量	1078

产品合规性

如需合规文档，请访问 [TE 官网产品页面](#)。>

欧盟RoHS指令2011/65/EU	符合
欧盟ELV指令2000/53/EC	符合
中国电器电子产品有害物质限制使用管理办法（China RoHS 2，工业和信息化部携七部委2016年第32号令	没有超出阈值的受限材料
欧盟REACH法规(EC) No. 1907/2006	欧洲化学品管理局最新发布的SvHCs候选清单: 2019年7月（201） SvHCs候选清单的声明更新至: 2019年7月（201） 不含REACH SVHC
欧盟REACH法规(EC) No. 1907/2006	欧洲化学品管理局最新发布的SvHCs候选清单: 2019年7月（201） SvHCs候选清单的声明更新至: 2019年7月（201）
卤素含量	非低卤素 - 包含 Br 或 Cl > 900 ppm。
焊接工艺能力	不适合采用焊接工艺

产品合规免责声明

此信息基于对供应商的合理调查以及TE对供应商提供的信息的现有认知。此信息可能发生变化。经TE确认符合欧盟RoHS的产品编号，产品均质材料中铅、六价铬、汞、PBB、PBDE、DEHP、BBP、DBP和DIBP的最大浓度不超过0.1%，镉的最大浓度不超过0.01%或符合指令2011/65/EU(RoHS2)及其修订指令规定的豁免。根据2011/65/EU指令要求电子电气产品需要进行CE标识。元器件产品通常无需进行CE标识。经TE确认符合欧盟ELV指令的产品编号，产品均质材料中，铅、六价铬和汞的最大浓度不超过0.1%，镉的最大浓度不超过0.01%（按重量计算），或符合指令2000/53/EC(ELV)附录中规定的豁免。关于欧盟REACH法规，TE目前提供的物品中高度关注物质含量（SVHC）信息是基于欧洲化学品管理局（ECHA）“物品中物质的要求指南”（2011年4月第2版），在最终产品中高度关注物质含量按重量计算不超过0.1%。TE注意到欧洲法院在2015年9月10日的裁定（也被称为O5A：Once An Article Always An Article），对于“复杂物品”，高度关注物质含量阈值标准适用于产品本身以及组成产品的单个物品。TE已经基于新的ECHA“物品中物质的要求指南”（2017年6月第4版）完成对O5A规则的评估，并将相应更新REACH的声明。

客户还购买了



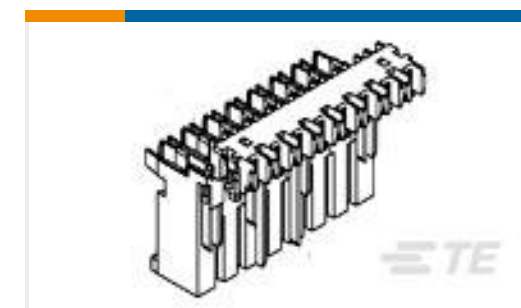
TE 系列/零件编号1534415-7
DUOPL POW FEM CON7P



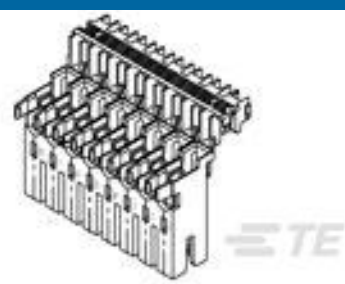
TE 系列/零件编号1-1740533-3
AMP DUOPLUG POW CONNECTOR



TE 系列/零件编号737665-1
UNIV MATE-N-LOK HSG MAL 4W BLK



TE 系列/零件编号1-282003-3
AMP MONO-SHAPE TAB CONN 3P.
GL



TE 系列/零件编号1-282049-1
AMP MONO-SHAPE P.C.B. CONN9P.
GL



TE 系列/零件编号1-928343-2
STANDARD TIMER HOUSING



TE 系列/零件编号1394918-7
DUOPLG5.0 BU-STE 7P



TE 系列/零件编号160497-2
MATE-N-LOK SOCKET



TE 系列/零件编号1703062-4
CAP, 2 CIRCUIT, UNIVERSAL MATE-
N-LOK



TE 系列/零件编号3-1241961-7
STD TIM MK2 HSG 3P

文档

产品图纸

[AMP DUOPLUG POW CONNECTOR](#)

英文版本

CAD 文件

[3D PDF](#)

[3D](#)

下载CAD文件代表我接受和同意 [使用条款](#)。

数据表/目录页

[1654742_HOUSEHOLD_APPLIANCES_RAST2.5](#)

英文版本

产品规格

[应用规格](#)

英文版本

[应用规格](#)

英文版本

产品环境合规性

[MD_1-1740533-7_110320152148_dmtec](#)

英文版本

[MD_1-1740533-7_110320152148_dmtec](#)

英文版本

机构认证

[VDE 证书](#)

英文版本

